

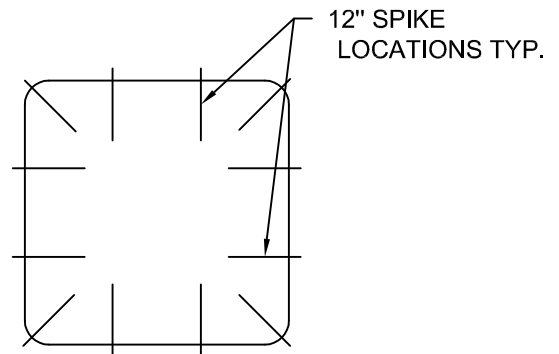
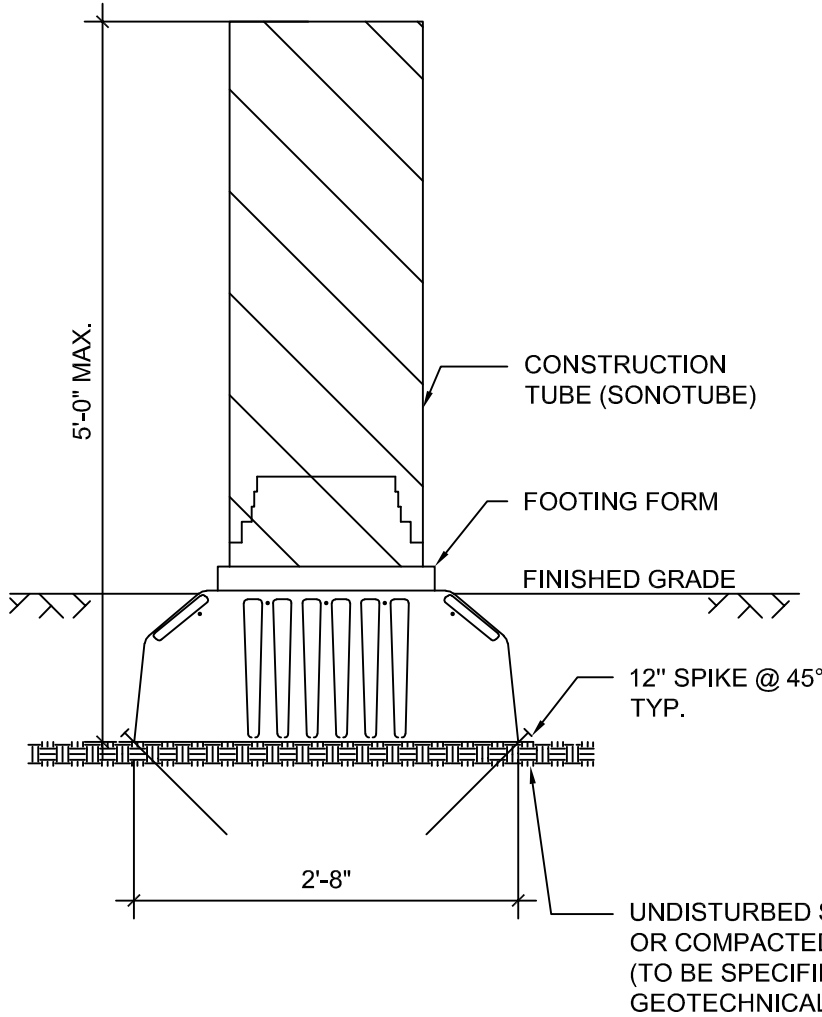
**NOTES:**

1. ALL WORK MUST CONFORM WITH THE CURRENT INTERNATIONAL BUILDING CODE (IBC).
2. ALL CONTRACTORS MUST VERIFY THE CONDITIONS AND DIMENSIONS AT THE SITE BEFORE STARTING WORK. INFORM ENGINEER OF ANY DISCREPANCIES IMMEDIATELY.
3. TEMPORARY SUPPORTS ARE NOT INDICATED ON THESE DRAWINGS AND ARE THE RESPONSIBILITY OF THE CONTRACTOR PERFORMING THE WORK. HE SHALL ENGAGE AN ENGINEER FOR THIS PURPOSE, AS APPLICABLE.

**IMPORTANT:** FOOTINGS THAT ARE NOT INSTALLED BELOW THE FROST LEVEL ARE SUBJECT TO FROST HEAVING, AND MUST BE ACCOUNTED FOR IN FINAL DESIGN CONCEPT.

**NOTES: ABOVE GROUND APPLICATION**

1. THE TOTAL COMBINED HEIGHT OF SOUND FOOTINGS™ FOOTING FORM MUST NOT EXCEED 5'-0".
2. DRILL 3/8" HOLE AT 45° ANGLE AT TWELVE LOCATIONS ( SEE PATTERN BELOW)
3. DRIVE A 12" SPIKE THROUGH 3/8" HOLE AT A 45° ANGLE INWARDS
4. TUBES MUST BE BRACED ONCE THE COMBINED HEIGHT EXCEEDS 3'-0" ABOVE GROUND .
5. SCAB BOARDS ARE FASTENED TO THE CONSTRUCTION TUBE WITH 1 1/4" WOOD SCREWS FROM THE INSIDE OF THE TUBE
6. SOUND FOOTINGS™ FOOTING FORM MUST BE PLACED ON UNDISTURBED SOIL OR COMPACTED GRAVEL (TO BE SPECIFIED BY GEOTECHNICAL ENGINEER)
7. CHECK ALIGNMENT OF CONSTRUCTION TUBE BEFORE PLACING CONCRETE.



**SOUND FOOTINGS SF-32 FOOTING FORM ABOVE GROUND APPLICATION**

1  
S700

3/4" = 1'-0"



**HARDY**  
STRUCTURAL ENGINEERING

875 roosevelt hwy, suite 130, colchester, vt 05446  
phone: (802) 655.0755 fax: (802) 655.2696  
www.hardyse.com

SOUND FOOTINGS FOOTING DETAIL

SOUND FOOTINGS, LLC

DATE: 03/29/2019

DWG NUMBER:

S700

