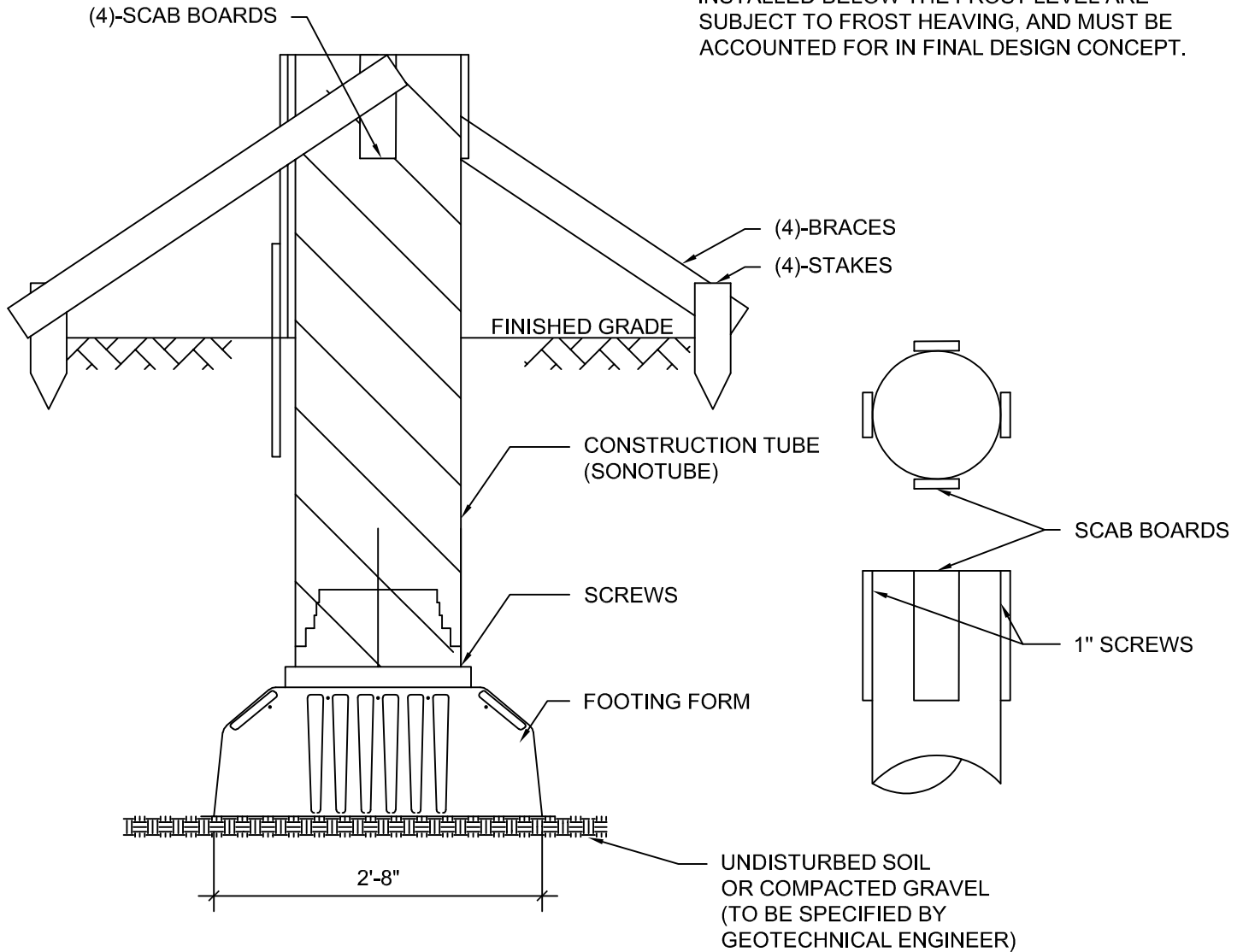


NOTES:

1. ALL WORK MUST CONFORM WITH THE CURRENT INTERNATIONAL BUILDING CODE (IBC).
2. ALL CONTRACTORS MUST VERIFY THE CONDITIONS AND DIMENSIONS AT THE SITE BEFORE STARTING WORK. INFORM ENGINEER OF ANY DISCREPANCIES IMMEDIATELY.
3. TEMPORARY SUPPORTS ARE NOT INDICATED ON THESE DRAWINGS AND ARE THE RESPONSIBILITY OF THE CONTRACTOR PERFORMING THE WORK. HE SHALL ENGAGE AN ENGINEER FOR THIS PURPOSE, AS APPLICABLE.

IMPORTANT: FOOTINGS THAT ARE NOT INSTALLED BELOW THE FROST LEVEL ARE SUBJECT TO FROST HEAVING, AND MUST BE ACCOUNTED FOR IN FINAL DESIGN CONCEPT.



SOUND FOOTINGS SF-32 FOOTING FORM BRACING

1
S900

3/4" = 1'-0"



HARDY
STRUCTURAL ENGINEERING

875 roosevelt hwy, suite 130, colchester, vt 05446
phone: (802) 655.0755 fax: (802) 655.2696
www.hardyse.com

SOUND FOOTINGS FOOTING DETAIL

SOUND FOOTINGS, LLC

DATE: 03/29/2019

DWG NUMBER:

S900

